

Quick Start Guide for Variable Voltage Uninterruptable Power Supply (L-UPS-V001)



Figure1. Battery Placement

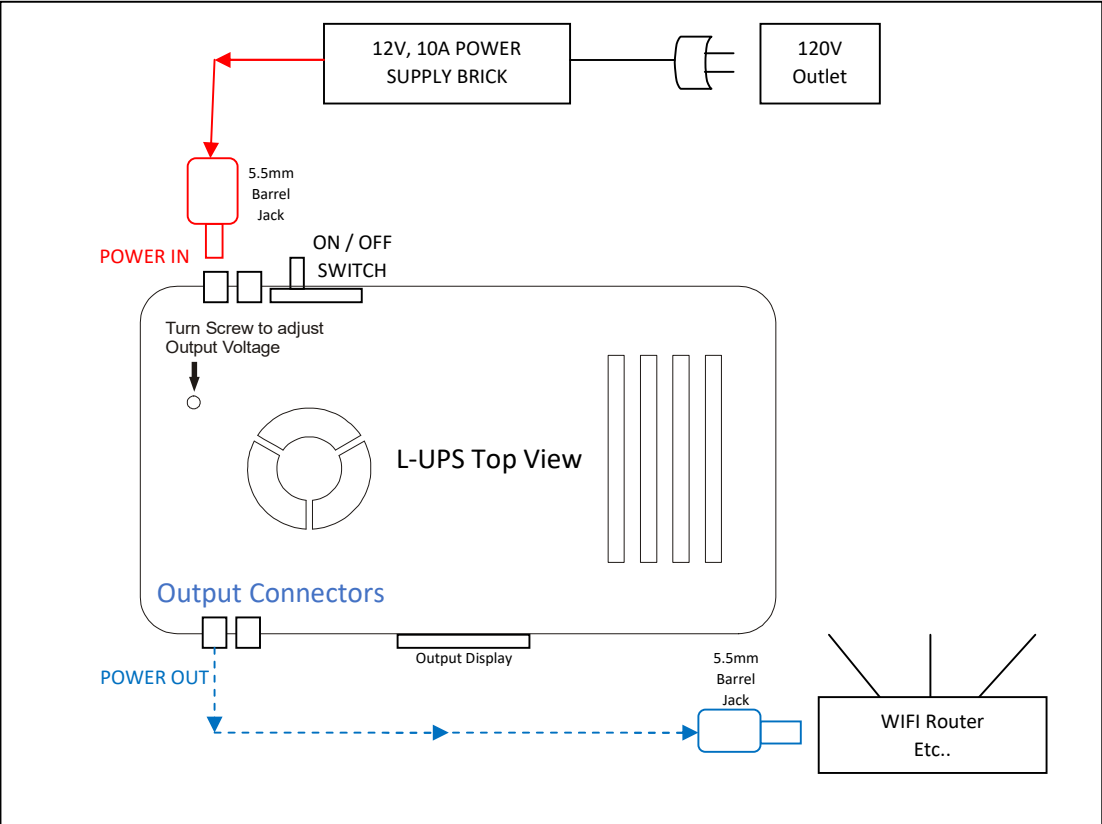


Figure2. Connection Diagram

*****Important note***** Please only use the power adaptor (Power Brick) which was shipped with the device).

Please follow these few steps to get setup quickly:

- 1) Remove the bottom cover by loosening the 4 screws holding it in place. Insert the batteries into the 18650 battery holders as shown in figure 1. Pay close attention to the polarity of the batteries as it should only be inserted as shown in figure 1. Reversing the battery polarity could cause permanent damage to the device. Replace the bottom cover and **do not over tighten** the 4 screws holding it in place.
- 2) Connect the Power Supply Brick (power adaptor) barrel jack connector to the **“power in”** connector on **the rear side** of the L-UPS. Connect the 120V plug of the power brick to a 120V wall socket as show in figure 2.
- 3) Turn the **“On/Off Switch”** to the **on position** and the **“Output Power Display”** on the **front side** of the L-UPS should illuminate. The display should show the present output voltage and current values.
- 4) *****Important note***** Now check the voltage requirement for the device (Wireless router, etc) that you would like to power. This information can be found on the device label or power adaptor. Setting the L-UPS output to the incorrect value could damage your device (wireless router etc...)
- 5) Use the **screw on the top side** of the L-UPS to **slowly adjust** the output voltage of the L-UPS. Turning clockwise increases the voltage and anti-clockwise reduces the voltage. The voltage value shown on the output display will change as the screw is adjusted. The output voltage can be set in the range between 5 volts and 20 volts (see figure 2 for screw location).
- 6) Connect the device to be powered via the output power cord. The output power cord has 5.5mm barrel jack connectors on either side. One side should be plugged the **“L-UPS output connector”** and the other side into the device (wireless router, camera, etc...). Please refer to figure 2. *****Important note***** some devices may require a **connector adaptor** to be used together with the output power cable. Your setup is now complete.