

Quick Start Guide for Low Voltage Uninterruptable Power Supply (L-UPS-12)

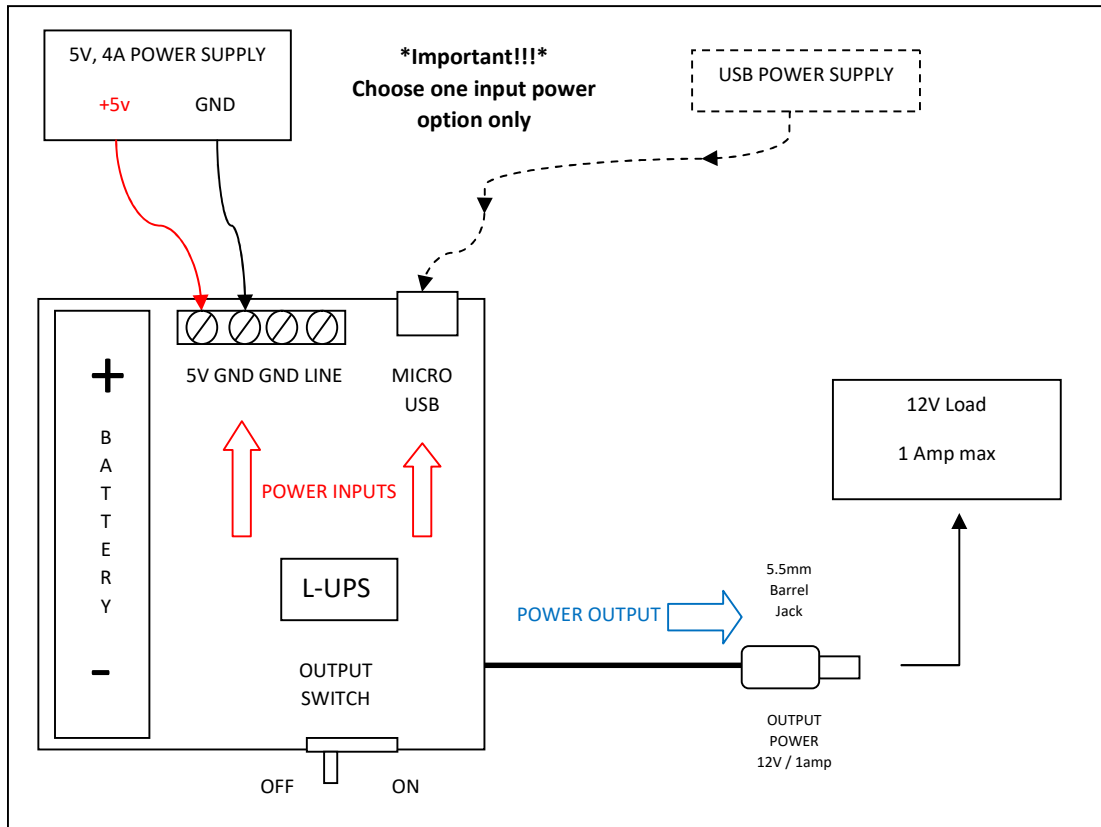


Figure 1. Two options of connecting input power to the L-UPS and output connection to load
*****Important note***** Please use only one of the input power connection options at a time shown in figure 1. Please only use the micro USB input power option for load currents of less than 0.8 amperes.
Please follow these few steps to get setup quickly:

- 1) Insert a 18650 Battery into the battery holder. Pay close attention to the polarity of the battery as it should only be inserted as shown in figure 1. Reversing the battery polarity could cause permanent damage to the L-UPS board.
- 2) There are 2 ways of connecting power to the L-UPS board as shown in figure 1. Please only use one input power method at a time. A 5 volt, 4 ampere power supply is recommended but typically a 5 volt 3 ampere power supply will be sufficient. Please connect the power supply option of your choice as shown in figure 1.
- 3) The 12V output voltage is present at the 5.5mm barrel jack connector. The inner connection of the barrel jack is at positive potential and the outer sleeve is at negative potential. Please connect it to the load (12 volt ,1 amp maximum) as shown in figure 1.
- 4) Lastly be sure to turn the output switch to the on position to allow power to the load.
****Note**** The L-UPS will not turn on if a power supply has not been connected to its input.