

Quick Start Guide for Boost Converter Module (5V or 12V) (BCM-05 or BCM-12)

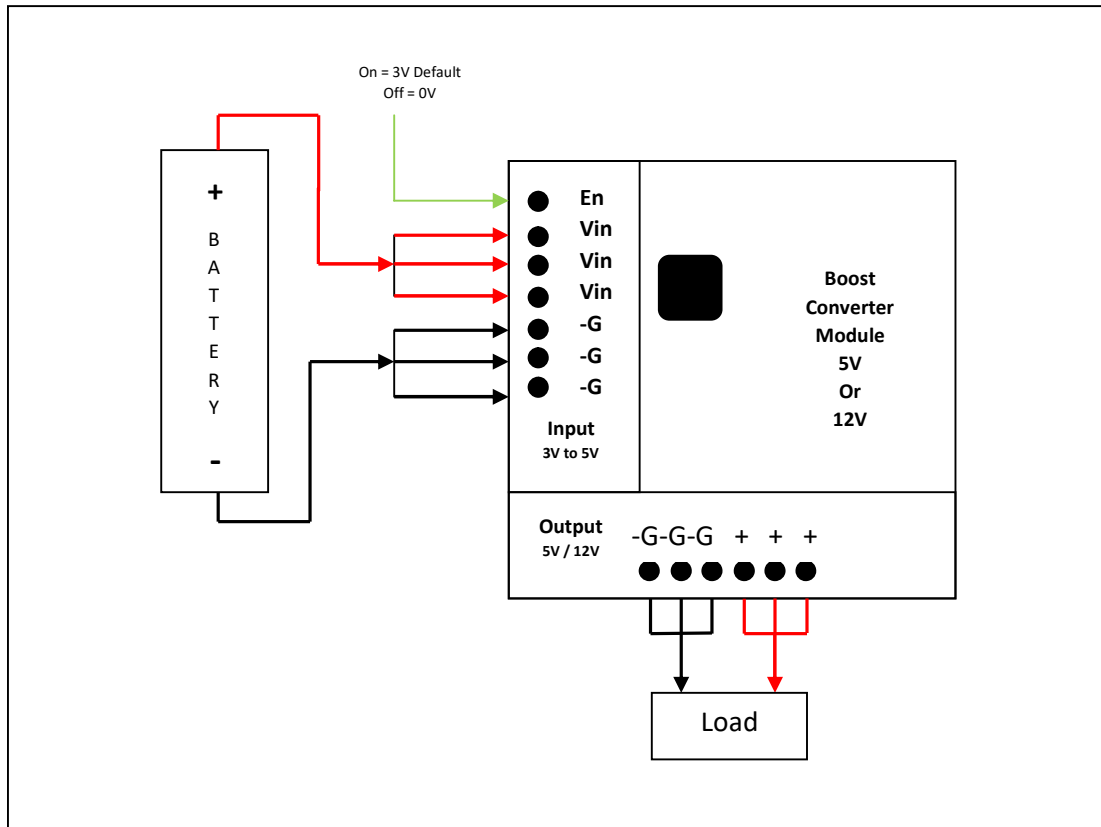


Figure 1. Boost Converter connected to a load

*****Important note***** Please do not exceed the maximum input voltage of 5.5 Volts. This will result in permanent damage to the module.

Please refer to figure1 and follow these few steps to get setup quickly:

- 1) An 18650 battery is recommended as the input power supply but alternatively a high powered power supply may also be used. Connect the battery paying close attention to connect the positive and negative terminals to the correct inputs of the boost module as shown in figure1.
- 2) Connect the load to the output connector of the boost module. The output will be enabled by default and is controlled by the “En” (enable) pin. A low (0v) on applied to the “En” pin will disable the output.